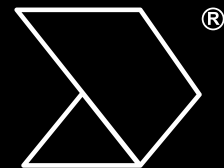


**all
decor
2d** by decal



application manual

all decor 2d

by decal

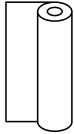
application manual

Our adhesive textures allow you to give a **personal touch** to every centimeter of **walls and furniture**. The experience starts during the application, and we want to make it memorable, so we will be by your side, step-by-step, through this manual.

Let your history expand on each **ALLDECOR** roll and enjoy **your space**.

First tip, **read to the end** before starting.

Package content



1 roll of adhesive texture

Where to apply

Our adhesive textures can be applied to **smooth and flat surfaces** in interior spaces. However, applications on surfaces regularly exposed to very high or low temperatures are not recommended.

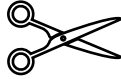
Necessary material



Measuring tape



Cutter



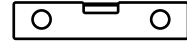
Scissors



Pencil
or pen



Adhesive
paper tape



Level



Cleaning
cloths



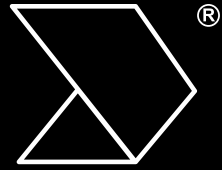
Degreasing
product



Soft brush

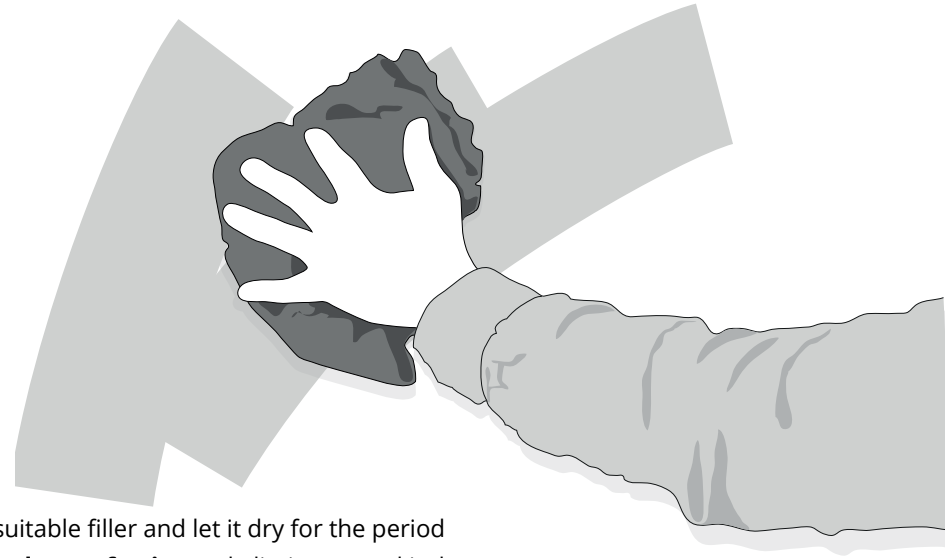


Ladder or
stairs



Wall application

Before applying

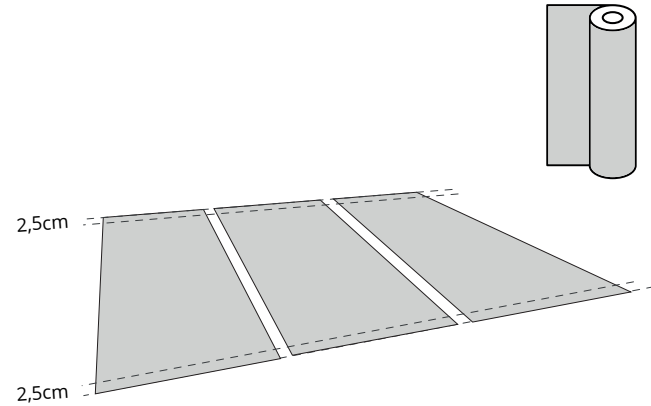


1 Surface preparation

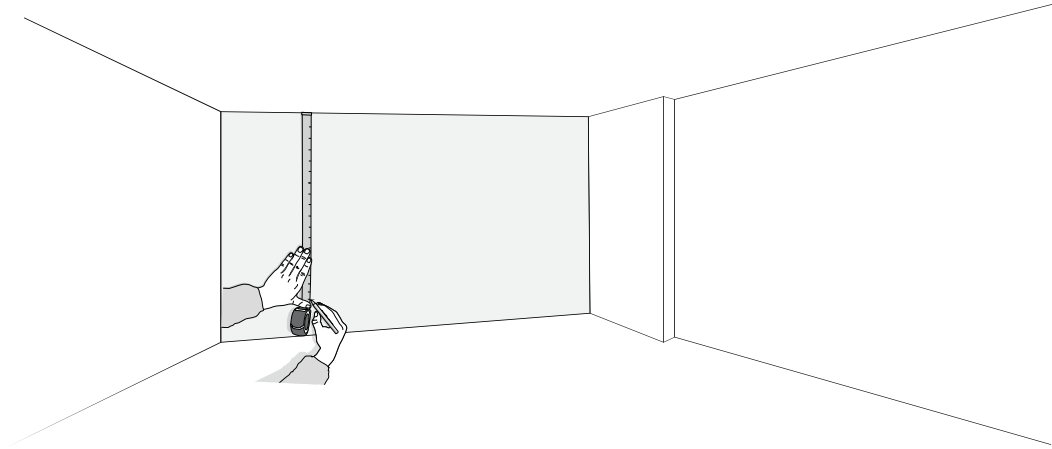
- 1.1** If you detect **cracks or holes in the wall**, cover them with suitable filler and let it dry for the period indicated. Use sandpaper to remove any **existing bumps or drops of paint** and eliminate any kind of **infiltration**.
- 1.2** Make sure the wall is **clean**. Use a **soft brush or cloths** and, if necessary, a **degreasing product** to remove any glue, dust or grease.
- 1.3** The application on walls that present **humidity** must be preceded by the use of a **waterproofing** agent to avoid the contamination of the adhesive and consequent detaching of the material.
- 1.4** Wall plates for **electrical and telecommunication outlets** or **switches** should be removed to ensure the surface is smooth. Don't forget to turn off the electrical current.

2 Preparation of the adhesive texture

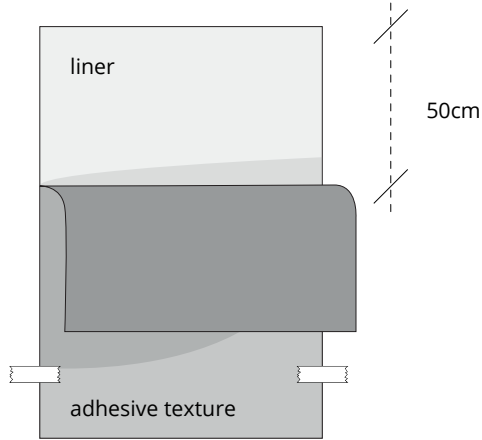
- 2.1 Measure the area of the wall, in **height and length**, where you are going to apply.
- 2.2 Cut the adhesive texture to the desired height with a cutter or scissors, leaving a **margin** of about **5cm**, divided by 2.5cm for the ceiling area and 2.5cm for the baseboard area.
- 2.3 Repeat the process until you get the required number of panels to cover **all the** desired **area**.



How to apply

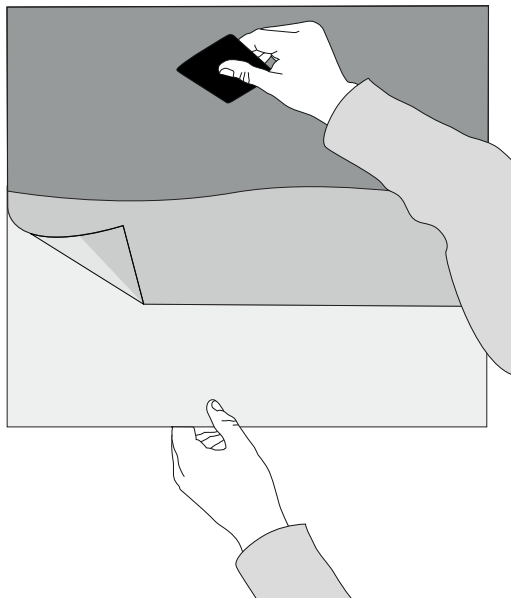


- 1** Measure the width of the roll with the measuring tape and make **vertical marks on the wall**, using a pencil or pen and ensuring that the size is equivalent to that of the panels.
- 2** Position the first panel, in height, with paper tape and **without forgetting the margins**, 2.5cm for the ceiling area and 2.5cm for the baseboard area. Use as much adhesive tape as necessary to ensure the panel is securely attached.

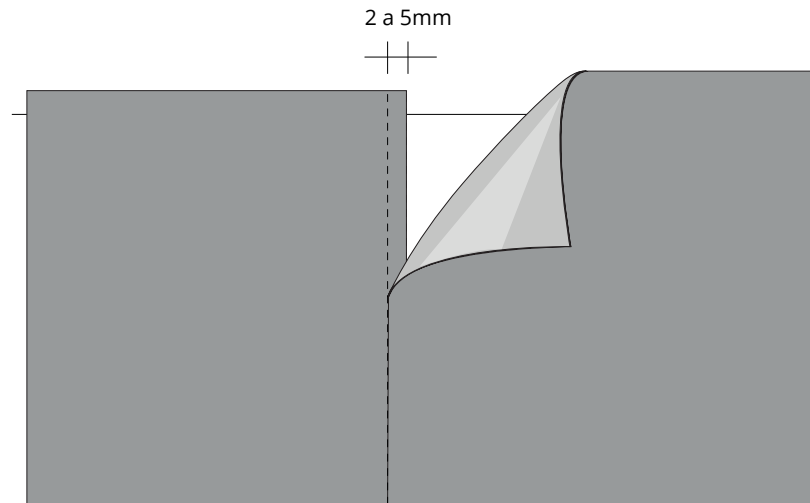


- 3** Make sure the panel is **aligned with the marks** and use the level to confirm that it **is 100% vertical**.
- 4** **Peel the adhesive texture from the liner**, from top to bottom and about **50cm**, leaving the liner in view and the texture adhesive facing outwards.

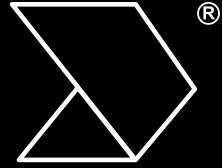
- 5** Fold the liner **backwards**, folding it with the spatula and leaving a **margin** of about **5cm** between the crease and the adhesive texture.
- 6** Apply the adhesive texture **from top to bottom** with the spatula, exerting pressure with **horizontal movements, from the center to the ends**, and forming a **45° angle** between both surfaces.
- 7** **Peel off the adhesive tape** to allow you to pull out the remaining liner.



- 8** Separate the adhesive texture from the liner, **between 50 and 70cm at a time**, and apply it with the spatula, **in a fan movement** and **from the center to the ends**, until completing the application of the panel.

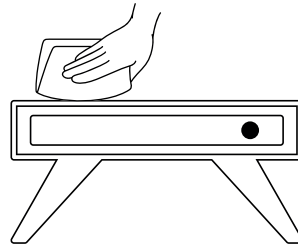


- 9** Repeat the process when applying the **following panels**, starting with step 2 and leaving a **2- 5mm overlap** over the previous panel.
- 10** Once all the panels have been applied, **cut the excess adhesive texture** with the cutter, orienting it with the spatula, in the ceiling and baseboard areas.



Furniture application

Before applying

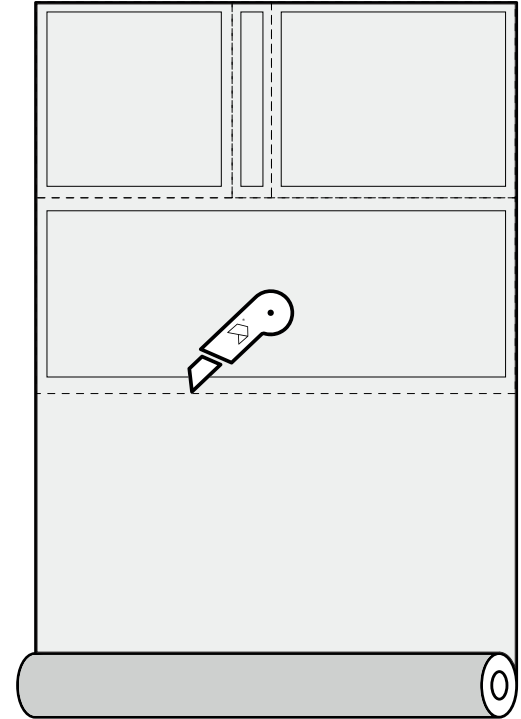


1 Surface preparation

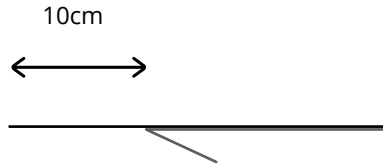
- 1.1** If the furniture is in a **bad state of conservation** – lack of paint, chipped wood or deformations – **smooth the surface** using sandpaper or a suitable filler. In the latter case, ensure that the filler is allowed the indicated drying time.
- 1.2** Make sure the furniture is **clean**. Use a **soft brush or cloths** and, if necessary, a **degreasing product** or **ethyl alcohol** (70%) to remove glue, dust or grease residues.

2 Preparation of the adhesive texture

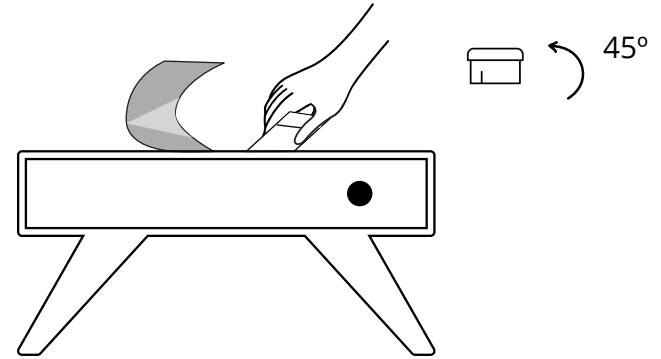
- 2.1 **Measure** the areas of the furniture, in **height and length**, where you want to apply the adhesive texture.
- 2.2 Arrange the order in which you will make the necessary cutouts for all areas in order to **make the most out** of each roll.
- 2.3 Cut the adhesive texture with the corresponding measurements of the different areas, leaving a **margin** of about **1cm** on all sides.



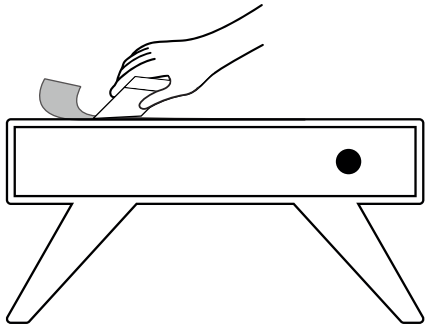
How to apply



- 1** Start the application at the corners, **peeling the adhesive texture from the liner** until it reaches approximately **10cm**.



- 2** Apply the adhesive texture with the spatula, **from the center to the ends**, forming a **45° angle** between both surfaces.

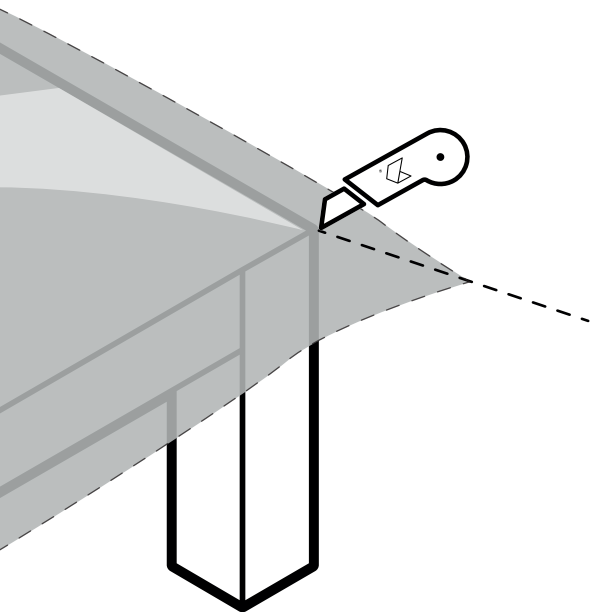


- 3** Gradually **remove the liner** on the horizontal surface and apply it to the end, following the instructions in steps 1 and 2.



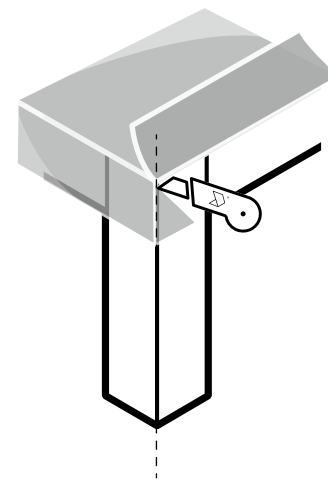
fold 1 to 2cm

- 4** If the furniture structure allows it, **fold 1 to 2cm** of the adhesive texture on the bottom of the horizontal surface.

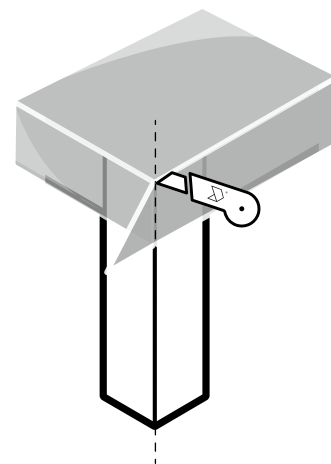
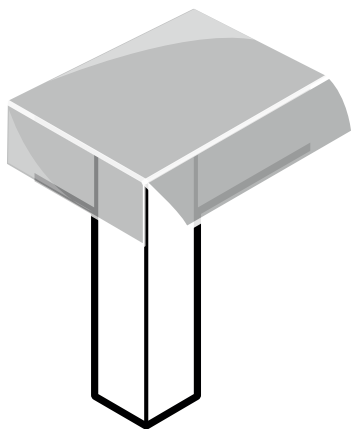


Corner details

- 1** Make a **diagonal cut** with the cutter, starting near the corner to the **edge** of the adhesive texture.
- 2** **Fold** the adhesive texture onto the edge with the help of the spatula.



- 3** **Fold** one of the two excess pieces of adhesive texture inward and cut it along the edge with a cutter.



- 4** Repeat the procedure for the second part, ensuring that the cut does not reach the adhesive texture applied in this area.

Helpful Tips

Positioning and symmetry

Extra care must be taken when positioning the adhesive texture with which the application starts to ensure the correct alignment of the following ones.

(Un)necessary strength

Moderate the strength when separating the adhesive texture from the liner and when using the spatula to avoid creases, stretches or tears.

Materials that must be avoided

Do not use plastic spatulas or sharp objects during application, as they can damage the adhesive texture.

"Wet-paint"

On recently painted walls and furniture, we recommend waiting three weeks before proceeding with the application, allowing time to cure the inks.

Skills in details

Applications on furniture with more demanding characteristics must be carried out in phases, starting from the horizontal part and using specific strips to cover the edges.

I have already applied, now what?

Now you can start getting inspired for your **next** decorative **project**.

Visit our website and **keep up to date with trends to create unique environments**. ALLDECOR adhesive textures recreate **wood, cement, stone, metal and leather** in a natural and realistic way. You just have to let **creativity** flow and choose your favorite one.



www.decal-adhesive.com

